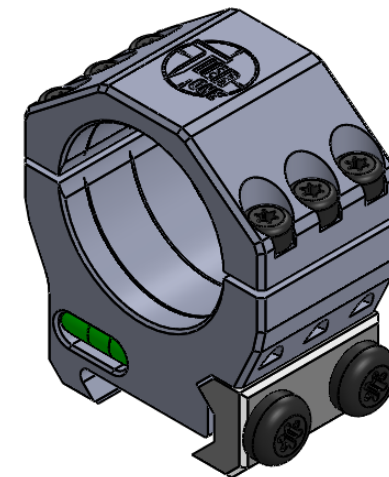
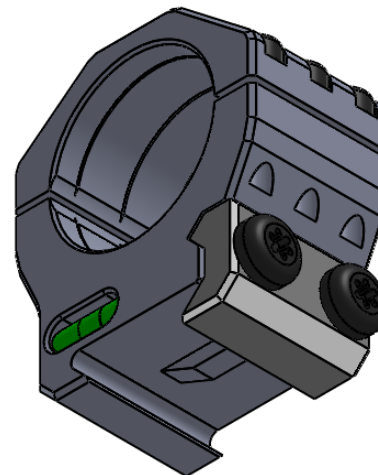
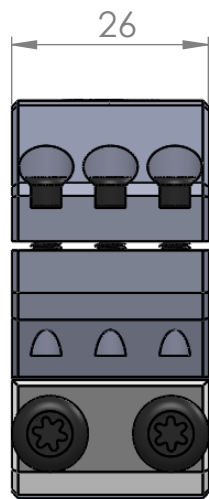
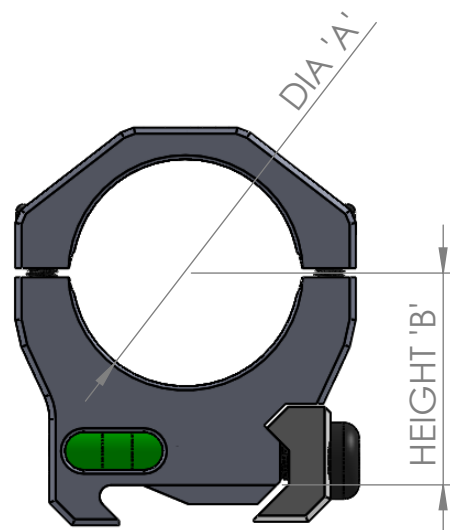


	6	5	4	3	2	1		
ORDER CODE	T1TAC30M	T1TAC30H	T1TAC34M	T1TAC34H	T1TAC36M	T1TAC36H	T1TAC40M	T1TAC40H
DIA 'A'	30	30	34	34	36	36	40	40
HEIGHT 'B'	28	38	28	38	30	40	32	40



UNLESS OTHERWISE SPECIFIED: DIMENSIONS ARE IN MILLIMETERS SURFACE FINISH: TOLERANCES: LINEAR: ANGULAR:				FINISH: HARD ANODISE 30 MICRONS BLACK		DEBURR AND BREAK SHARP EDGES		DO NOT SCALE DRAWING		REVISION	
						WWW.TIER-ONE.EU					
DRAWN: CC				SIGNATURE:		DATE: 11/08/17		TITLE: TAC RING SPECIFICATIONS			
CHK'D:								DWG NO. T1TAC SPECS			
APPV'D:								SCALE: 1:1			
MFG:								SHEET 1 OF 1			
Q.A:						MATERIAL: AL7075 T6		A4			
						WEIGHT:					

6 5 4 3 2 1