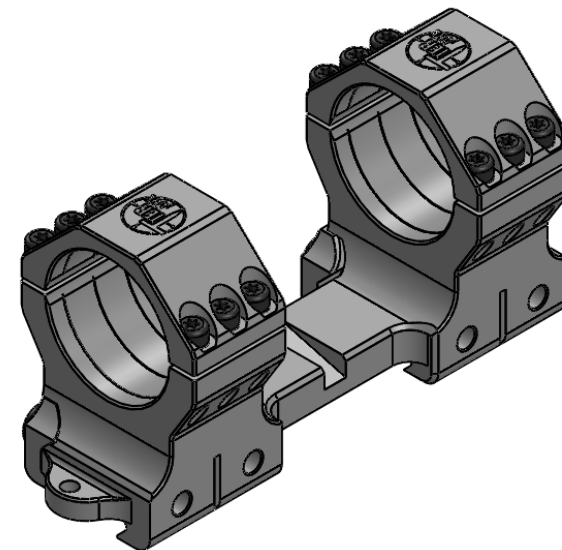
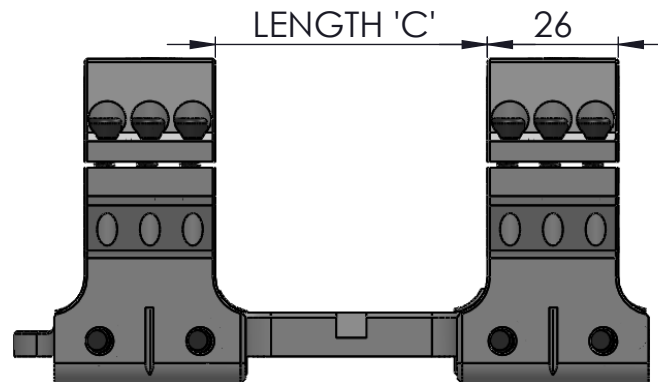
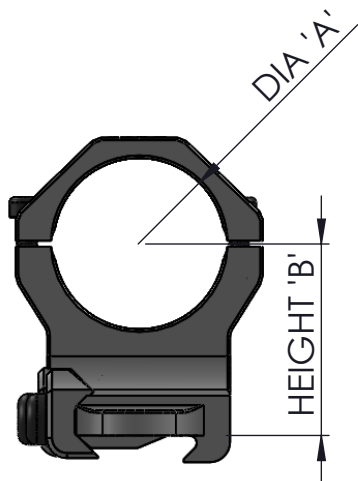


ORDER CODE	T1MUS-300030 T1MUS-300630	T1MUS-300038 T1MUS-300638	T1MUS-340032 T1MUS-340632	T1MUS-340038 T1MUS-340638	T1MUS-350033 T1MUS-350633	T1MUS-350039 T1MUS-350639	T1MUS-360033 T1MUS-360633	T1MUS-360039 T1MUS-360639	T1MUS-400034 T1MUS-400634	T1MUS-400039 T1MUS-400639
DIA 'A'	30	30	34	34	35	35	36	36	40	40
HEIGHT 'B'	30	38	32	38	33	39	33	39	34	39
LENGTH 'C'	54	54	54	54	66	66	66	66	66	66

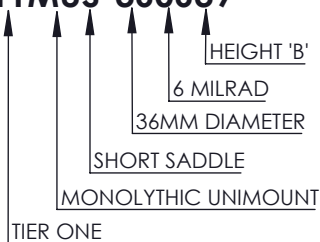
B

B



KEY TO ORDER CODE

Example: **T1MUS-360639**



A

A

PROPRIETARY AND CONFIDENTIAL
THE INFORMATION CONTAINED IN THIS DRAWING IS THE SOLE PROPERTY OF EVO LEISURE LTD. ANY REPRODUCTION IN PART OR AS A WHOLE WITHOUT THE WRITTEN PERMISSION OF EVO LEISURE LTD IS PROHIBITED.



TRADING NAME OF
EVO LEISURE LTD
GREAT BRITAIN

NEXT ASSY	USED ON
APPLICATION	

UNLESS OTHERWISE SPECIFIED:	
DIMENSIONS ARE IN MM TOLERANCES: FRACTIONAL ± ANGULAR: MACH ± BEND ± TWO PLACE DECIMAL ± THREE PLACE DECIMAL ±	
INTERPRET GEOMETRIC TOLERANCING PER:	
MATERIAL	AL7075 T6
FINISH	HARD ANODISE 30 MICRONS OR CERAKOTE
DO NOT SCALE DRAWING	

DRAWN	NAME	DATE
CHECKED	CC	03/10/17
ENG APPR.		
MFG APPR.		
Q.A.		
COMMENTS:		

WWW.TIER-ONE.EU

TITLE:
SHORT SADDLE MONOLYTHIC UNIMOUNT SPECIFICATIONS

SIZE	DWG. NO.	REV
A	T1MUS-SPECS	
SCALE: 1:2	WEIGHT:	SHEET 1 OF 1